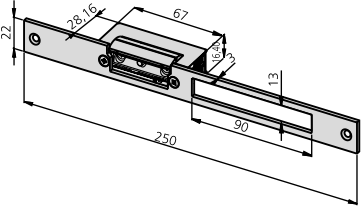

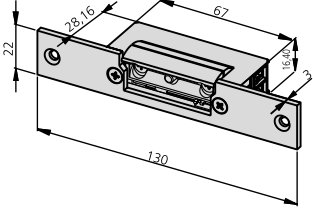



SWING DOORS / PIVOT DOORS
ACCESSORIES
ELECTRIC STRIKE PLATES

DESCRIPTION	REF.	APPLIES TO LOCKS
<ul style="list-style-type: none"> Automatic reversible adjustable electric strike plate with unlocking capability Flat SS front plate 12V/ AC  	CEC41/6AD	184, 196N, 296, 496, 596, 192, F192, 194N, 294N, 494N, 612, 612E, 615E, 615, 2E2GB, 2E2, 2E5, 1E2, 1E5
<ul style="list-style-type: none"> Automatic reversible adjustable electric strike plate with unlocking capability Latch bolt only and flat SS front plate 12V/ AC  	CEC41T/6AD	196NT, 194NT

* Ask for others electric strike plate options.