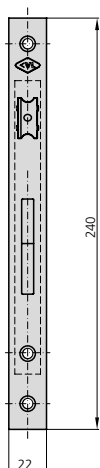


SWING DOORS / PIVOT DOORS
TILTING DEAD BOLT, 85 mm BETWEEN AXES
196N RANGE

CHARACTERISTIC

- 16mm, 22mm, 24mm SS flat front plate and 24,5*6 "U" shape SS front plate
- 11mm reversible latch bolt
- Adjustable latch and interchangeable by roller kit
- Prepared for bolt fixing handles and escutcheons
- 15 mm box
- 8mm square ruler
- 2 nylon escutcheons ref. ES1984
- Cylinder fixing screw

VERSIONS

- Roller kit to replace latch bolt (from 30mm backset on)
- Spindle adapter kit

OPTIONAL ACCESSORIES

- Complete range of **strike plates**
- Complete range of **cylinders**
- **Electric strike plate option**
- Passing security escutcheon BTI296/1N

DESCRIPTION	REF.	MEASUREMENTS		CAM	FINISH		UNITS	
		B	A		FRONT PLATE	CYLINDER		

- Latch bolt and dead bolt
- Cylinders:
 - Short cam 101C3030/4
 - Long cam 101L3030/4

		16							
			2.5						
	P196N/25/6	22	37	15	Al	CN	1	20	
	P196N/28/6	25	38	13,25	Al	CN	1	20	
	P196N/30/6	27	42	15	Al	CN	1	20	
	P196N/33/6	30	43	13,25	Al	CN	1	20	
	P196N/35/6	32	47	15	Al	CN	1	20	
	P196N/38/6	35	48	13,25	Al	CN	1	20	
			22						
			2.5						
	196N/25/6	22	37	15	Al	CN	1	20	
	196N/28/6	25	38	13,25	Al	CN	1	20	
	196N/30/6	27	42	15	Al	CN	1	20	
	196N/33/6	30	43	13,25	Al	CN	1	20	
	196N/35/6	32	47	15	Al	CN	1	20	
	196N/38/6	35	48	13,25	Al	CN	1	20	
			24						
			2.5						
196N/25/6AN	22	37	15	Al	CN	1	20		
196N/28/6AN	25	38	13,25	Al	CN	1	20		
196N/30/6AN	27	42	15	Al	CN	1	20		
196N/33/6AN	30	43	13,25	Al	CN	1	20		
196N/35/6AN	32	47	15	Al	CN	1	20		
196N/38/6AN	35	48	13,25	Al	CN	1	20		



- Dead bolt only
- Cylinders:
 - Short cam 101C3030/4
 - Long cam 101L3030/4

		22						
			2.5					
	196NA/25/6	22	37	15	Al	CN	1	20
	196NA/28/6	25	38	13,25	Al	CN	1	20
	196NA/30/6	27	42	15	Al	CN	1	20
	196NA/33/6	30	43	13,25	Al	CN	1	20
	196NA/35/6	32	47	15	Al	CN	1	20
	196NA/38/6	35	48	13,25	Al	CN	1	20
			22					
			2.5					

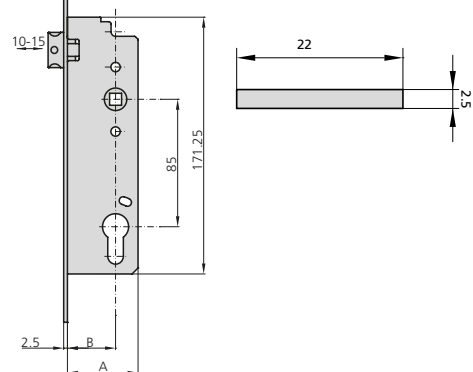
SWING DOORS / PIVOT DOORS

TILTING DEAD BOLT, 85 mm BETWEEN AXES

196N RANGE

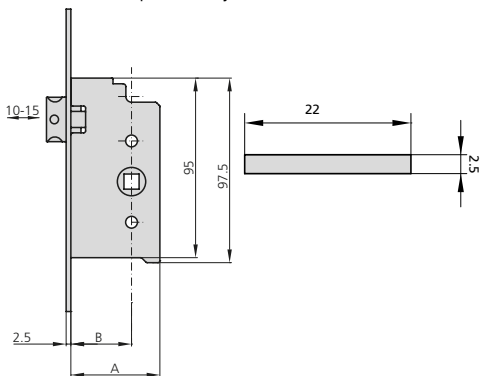
DESCRIPTION	REF.	MEASUREMENTS			FINISH		UNITS	
		B	A	CAM	FRONT PLATE	CYLINDER		

- Latch bolt only and single cylinder
- Cylinders:
 - Short cam 101C3010/4
 - Long cam 101L3010/4



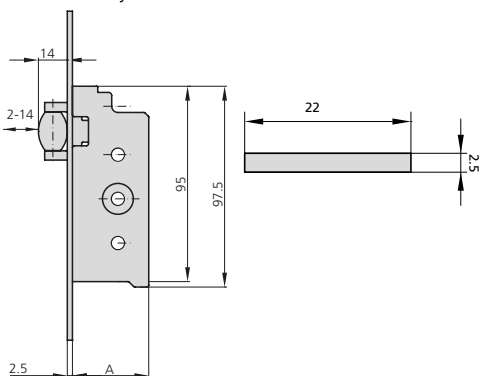
196NT/25/6	22	37	15	Al	CN	1	20
196NT/28/6	25	38	13,25	Al	CN	1	20
196NT/30/6	27	42	15	Al	CN	1	20
196NT/33/6	30	43	13,25	Al	CN	1	20
196NT/35/6	32	47	15	Al	CN	1	20
196NT/38/6	35	48	13,25	Al	CN	1	20

- Latch bolt operated by knob



196NR/25/6	22	37		Al	CN	2	20
196NR/28/6	25	38		Al	CN	2	20
196NR/30/6	27	42		Al	CN	2	20
196NR/33/6	30	43		Al	CN	2	20
196NR/35/6	32	47		Al	CN	2	20
196NR/38/6	35	48		Al	CN	2	20

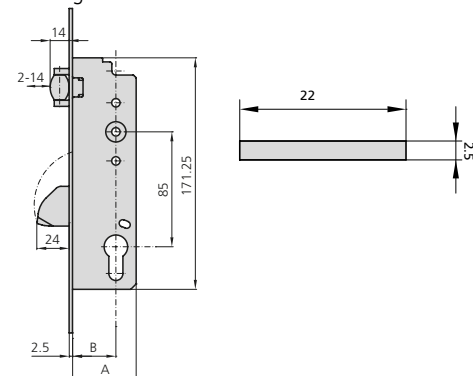
- Roller only



196NRV/6	22	37		Al	CN	2	20
----------	----	----	--	----	----	---	----

- Adjustable roller and dead bolt

- Cylinders:
 - Short CAM 101C3030/4
 - Long CAM 101L3030/4



196NV25/6	22	37	15	Al	CN	1	20
196NV28/6	25	38	13,25	Al	CN	1	20
196NV30/6	27	42	15	Al	CN	1	20
196NV33/6	30	43	13,25	Al	CN	1	20
196NV35/6	32	47	15	Al	CN	1	20
196NV38/6	35	48	13,25	Al	CN	1	20