

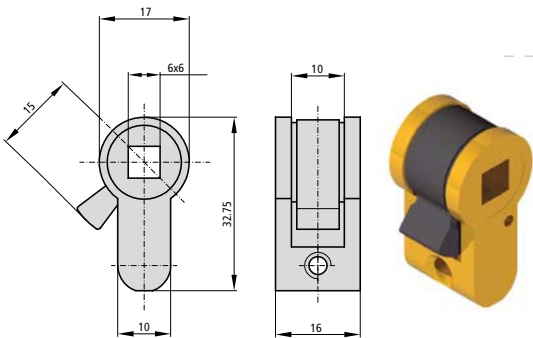
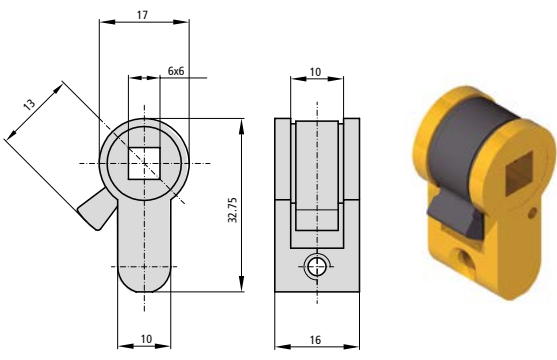


**ACCESSOIRES** **FOUILLOT DE CONDAMNATION RAPPORTÉ**

DESCRIPTION	RÉF.	APPLICABLE A SERRURES	PIÈCES  
<ul style="list-style-type: none"> <li>Panneton long</li> </ul> 	5982C16	<ul style="list-style-type: none"> <li>184 (25-30-35)</li> <li>196 (25-30-35)</li> <li>192 (25-30-35)</li> <li>194 (25-30-35)</li> </ul>	
<ul style="list-style-type: none"> <li>Panneton court</li> </ul> 	5990C16	<ul style="list-style-type: none"> <li>184 (21-23-28-33-38)</li> <li>196 (23-28-33-38)</li> </ul>	